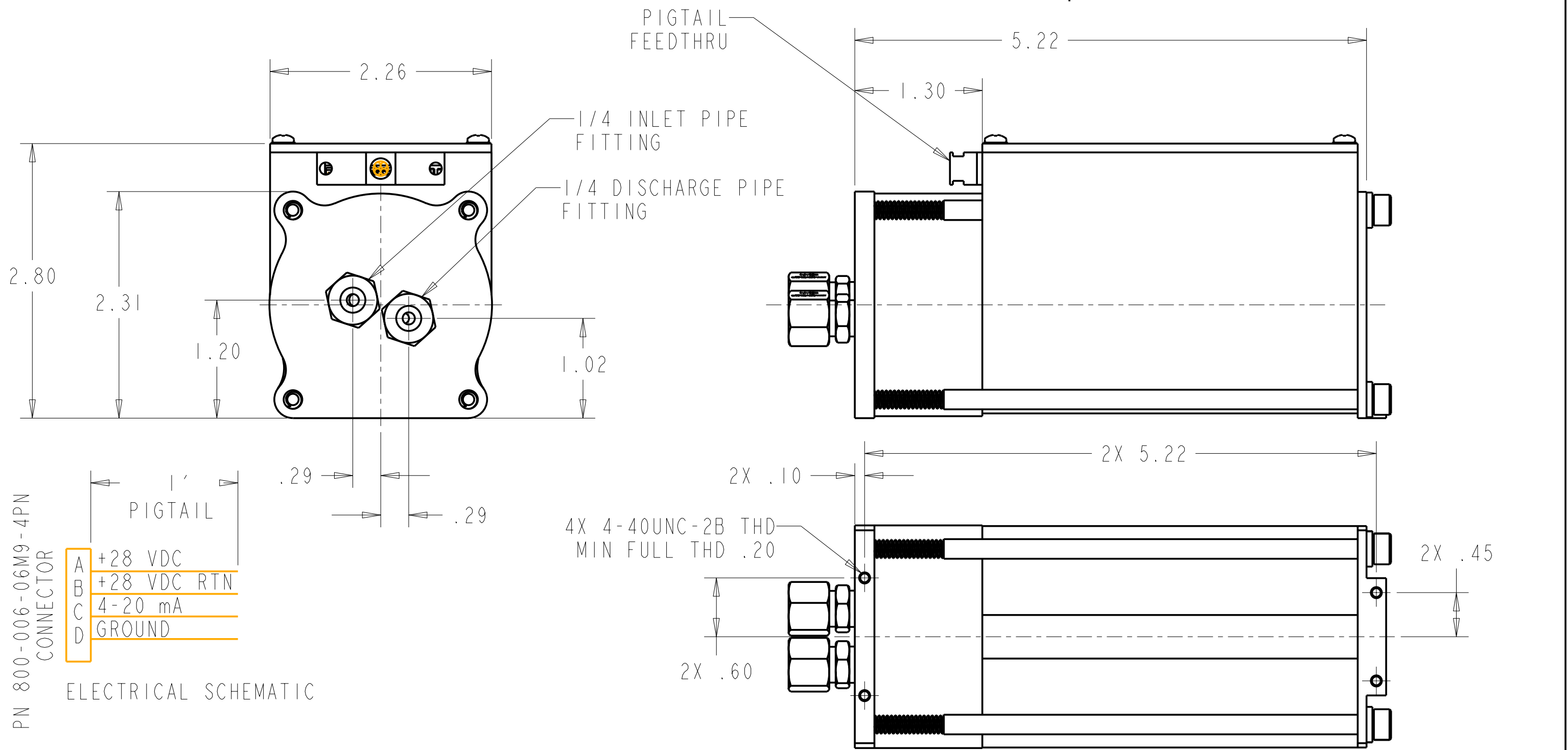


REVISIONS:			
NUMBER	DESCRIPTION	DATE	APPROVED



ELECTRICAL SCHEMATIC

- NOTES:
- 1 - INPUT VOLTAGE 23-32 VDC , 28 VDC NOMINAL
 - 2 - LINEAR OUTPUT FLOW WITH 4mA TO 20 mA INPUT
 - 3 - FLOW ACCURACY ±3% OF INPUT COMMAND INDEPENDENT OF FUEL TEMPERATURE
 - 4 - MAX WEIGHT = 3.9 LBS
 - 4 - MAX OUTPUT POWER 400 WATTS
 - 5 - OPERATING TEMPERATURE -40°F TO +160°F

MATERIAL TREATMENT:		Turnkey Design Services (708) 293-1120		
UNLESS OTHERWISE NOTED: DIMENSIONS ARE IN INCHES TOLL. ARE: X.X = ±0.1 X.XX = ±0.01 X.XXX = ±0.005 ANGLES = 0.5deg SURFACE FINISH = 125 MICRO IN BREAK AND DEBURR ALL EDGES DO NOT SCALE DWG				PUMP, FUEL METERING OUTLINE -400W
SIZE: B	DWG. NO: MFP400-1	DATE: 11/06/07	SCALE: 1/1	REV. -
DRAWN: TDS	CHECKED: -	SHEET 1 OF 1		